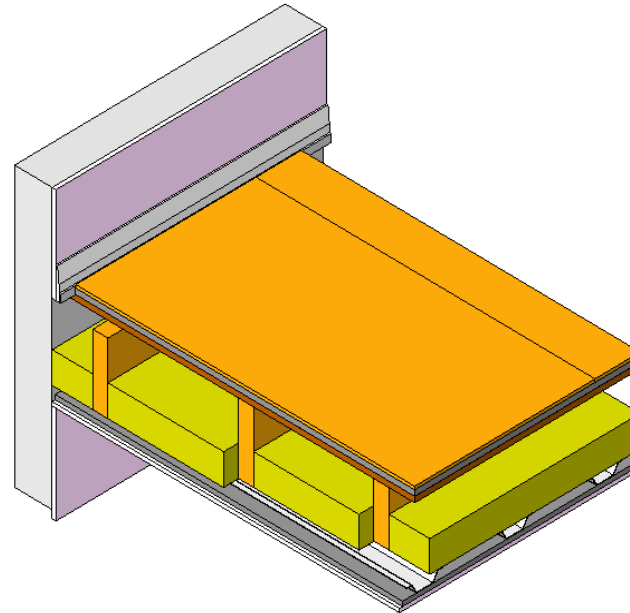


# SOUND REDUCTION SYSTEMS LIMITED MAXIDECK ABOVE RESILIENT FIXED PLASTERBOARD CEILING



Family Types

Name: MAXIDECK above Resilient Fixed Plasterboard Ceiling

Parameter	Value
<b>Construction</b>	
Construction	28mm Maxideck, 18mm T and G Chipboard, 225x50mm Softwood Joists @ 400mm centres, 100mm Maxislab, 17
<b>Dimensions</b>	
Thickness	MAXIDECK = 28mm
Weight	MAXIDECK = 27Kg/m <sup>2</sup>
Size	1200x600mm (nominal)
<b>General</b>	
Benefits	High levels of airborne sound insulation. Can comply with Part E of the Building Regulations. Great for refurbish
Product Page Link	<a href="https://www.soundreduction.co.uk/products/soundproofing-for-floors/maxideck-acoustic-flooring/">https://www.soundreduction.co.uk/products/soundproofing-for-floors/maxideck-acoustic-flooring/</a>
<b>Other</b>	
Acoustic Data	DnT,w (db) = 60 / Airborne = DnT,w + Ctr (db) = 52 / Impact = L'nT,W (db) = 52
<b>Identity Data</b>	
Manufacturer	SOUND REDUCTION SYSTEMS LIMITED
Address	Adam Street, off Lever Street, Bolton, BL3 2AP
Tel No.	+44 (0) 1204 380074
Fax No.	+44 (0) 1204 380957
URL	<a href="http://www.soundreduction.co.uk">www.soundreduction.co.uk</a>
Email	<a href="mailto:info@soundreduction.co.uk">info@soundreduction.co.uk</a>
Model	
Description	
Assembly Code	C3030210
Cost	
Keynote	
Type Comments	

Family Types: New..., Rename..., Delete

Parameters: Add..., Modify..., Remove, Move Up, Move Down

Sorting Order: Ascending, Descending

Lookup Tables: Manage...

OK Cancel Apply Help