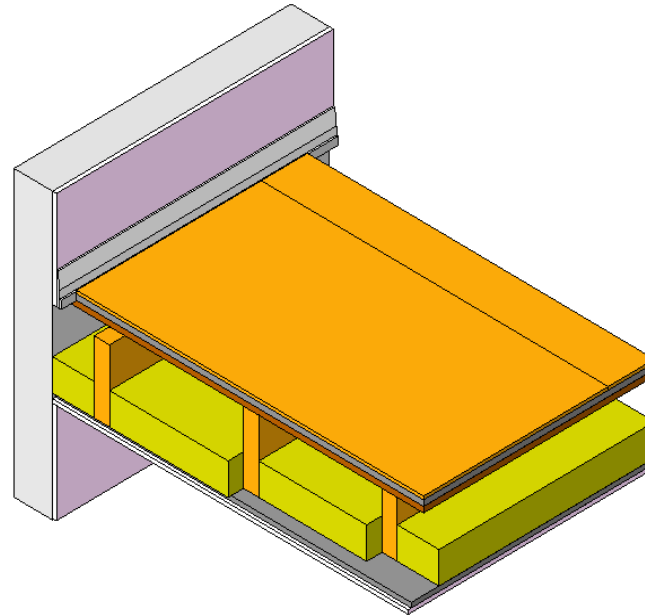


SOUND REDUCTION SYSTEMS LIMITED MAXIDECK ABOVE DIRECTLY FIXED CEILING



Family Types

Name: MAXIDECK above Directly Fixed Ceiling

Parameter	Value
Construction	
Construction	28mm Maxideck, 18mm T and G Chipboard, 225x50mm Softwood Joists @ 400mm centres, 100mm Maxislab, 15
Dimensions	
Thickness	MAXIDECK = 28mm
Weight	MAXIDECK = 27Kg/m ²
Size	1200x600mm (nominal)
General	
Benefits	High levels of airborne sound insulation. Can comply with Part E of the Building Regulations. Great for refurbish
Product Page Link	https://www.soundreduction.co.uk/products/soundproofing-for-floors/maxideck-acoustic-flooring/
Other	
Acoustic Data	DnT,w (db) = 50 / Airborne = DnT,w + Ctr (db) = 44 / Impact = L'nT,W (db) = 61
Identity Data	
Manufacturer	SOUND REDUCTION SYSTEMS LIMITED
Address	Adam Street, off Lever Street, Bolton, BL3 2AP
Tel No.	+44 (0) 1204 380074
Fax No.	+44 (0) 1204 380957
URL	www.soundreduction.co.uk
Email	info@soundreduction.co.uk
Model	
Description	
Assembly Code	C3030210
Cost	
Keynote	
Type Comments	

Family Types: New..., Rename..., Delete

Parameters: Add..., Modify..., Remove, Move Up, Move Down

Sorting Order: Ascending, Descending

Lookup Tables: Manage...

OK Cancel Apply Help