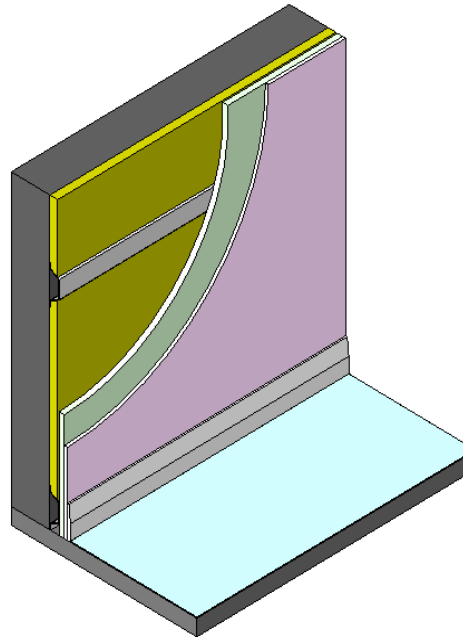


SOUND REDUCTION SYSTEMS LIMITED MAXIBOARD MASONRY WALL



Family Types

Name: Maxiboard Masonry Wall

Parameter	Value
Dimensions	
Thickness	17mm
Weight	24Kg/m ²
Size	1200mm x 600mm (nominal)
General	
Benefits	Improves airborne sound insulation. Meets Part E of the Building Regulations. Takes screws and nails direct. Minimal thi=
Product Page Link	https://www.soundreduction.co.uk/products/soundproofing-for-walls/maxiboard-for-walls/
Other	
Acoustic Data	Maxiboard 1 side lightweight blockwork = Airbourne = DnT,w(db) = 52 / DnT,w + Ctr (db) = 47 / Maxiboard both si =
Identity Data	
Manufacturer	SOUND REDUCTION SYSTEMS LIMITED
Address	Adam Street, off Lever Street, Bolton, BL3 2AP
Tel No.	+44 (0) 1204 380074
Fax No.	+44 (0) 1204 380957
URL	www.soundreduction.co.uk
Email	info@soundreduction.co.uk
Model	
Description	
Assembly Code	C3030210
Cost	
Keynote	
Type Comments	
Type Image	

Family Types: New..., Rename..., Delete

Parameters: Add..., Modify..., Remove, Move Up, Move Down

Sorting Order: Ascending, Descending

Lookup Tables: Manage...

OK Cancel Apply Help