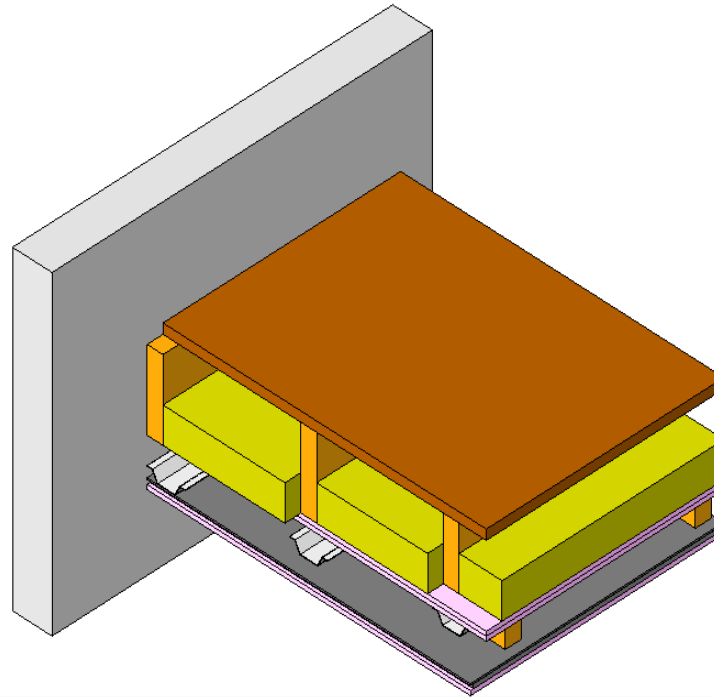


# SOUND REDUCTION SYSTEMS LIMITED MAXI DROPPED CEILING SYSTEM



Parameter	Value
<b>Dimensions</b>	
Thickness	MAXIBOARD = 17mm
Weight	MAXIBOARD = 24Kg/m <sup>2</sup>
Size	1200x600mm (nominal)
<b>Fire Protection</b>	
Fire Performance	Achieves 1/2 hour fire resistance to BE EN 1365-2 floor/roof (WARRES 124986)
Fire Properties	Fire propagation BS 476:Part 6: 1989 Class 0
Surface Spread of Flame	BS 476:Part 7: 1997 Class 1
<b>General</b>	
Benefits	Improves impact and airborne sound insulation performance. Takes screws and nails direct. Meets Part E of the Building Regulations. Extrem
Product Page Link	<a href="https://www.soundreduction.co.uk/products/soundproofing-for-ceilings/maxiboard-for-ceilings/">https://www.soundreduction.co.uk/products/soundproofing-for-ceilings/maxiboard-for-ceilings/</a>
<b>Other</b>	
Acoustic Data	DnT,w (db) = 56 / Airborne = DnT,w + Ctr (db) = 48 / Impact = L'nT,W (db) = 56
<b>Identity Data</b>	
Manufacturer	SOUND REDUCTION SYSTEMS LIMITED
Address	Adam Street, off Lever Street, Bolton, BL3 2AP
Tel No.	+44 (0) 1204 380074
Fax No.	+44 (0) 1204 380957
URL	<a href="http://www.soundreduction.co.uk">www.soundreduction.co.uk</a>
Email	<a href="mailto:info@soundreduction.co.uk">info@soundreduction.co.uk</a>
Model	
Description	
Assembly Code	C3030210
Cost	