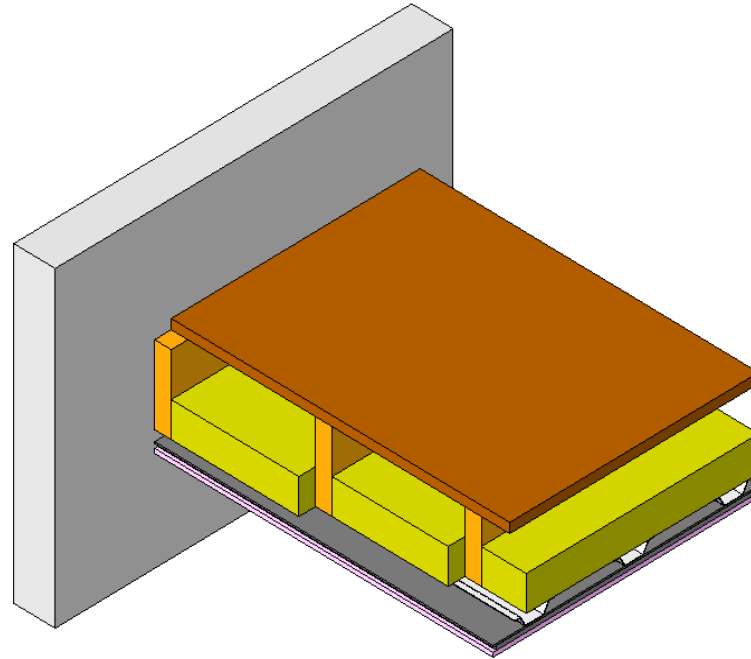


SOUND REDUCTION SYSTEMS LIMITED MAXI 60 CEILING SYSTEM



Family Types

Name: MAXI 60 CEILING SYSTEM

Parameter	Value
Dimensions	
Thickness	MAXI 60 = 17mm
Weight	MAXI 60 = 24Kg/m ²
Size	1200x600mm (nominal)
Fire Protection	
Fire Performance	Achieves 1 hour fire resistance to BE EN 1365-2 floor/roof (WARRES 124986)
Fire Properties	Fire propagation BS 476:Part 6: 1989 Class 0
Surface Spread of Flame	BS 476:Part 7: 1997 Class 1
Fire Resistance	Loadbearing Capacity = 86 min / Integrity = 85 min / Insulation = 85 min
General	
Benefits	Improves impact and airborne sound insulation performance. Meets Part E of the Building Regulations. Achieves 1 hr fire rat=
Product Page Link	https://www.soundreduction.co.uk/products/soundproofing-for-ceilings/maxiboard-for-ceilings/
Other	
Acoustic Data	DnT,w (db) = 53 / Airborne = DnT,w + Ctr (db) = 48 / Impact = L'nT,W (db) = 57
Identity Data	
Manufacturer	SOUND REDUCTION SYSTEMS LIMITED
Address	Adam Street, off Lever Street, Bolton, BL3 2AP
Tel No.	+44 (0) 1204 380074
Fax No.	+44 (0) 1204 380957
URL	www.soundreduction.co.uk
Email	info@soundreduction.co.uk
Model	
Description	
Assembly Code	C3030210
Cost	

Family Types: New..., Rename..., Delete

Parameters: Add..., Modify..., Remove, Move Up, Move Down

Sorting Order: Ascending, Descending

Lookup Tables: Manage...