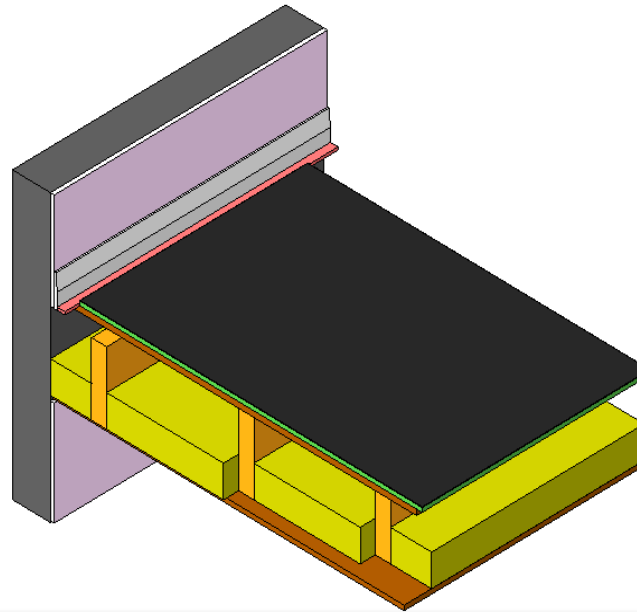


SOUND REDUCTION SYSTEMS LIMITED ACOUSTILAY WITH A LATH AND PLASTER CEILING



Family Types

Name:

Parameter	Value
Dimensions	
Thickness	15mm
Weight	15Kg/m ²
Size	1200mm x 1200mm
General	
Benefits	High levels of airborne sound insulation. Can comply with Part E of the Building Regulations. Great for refurbishment and con
Product Page Link	https://www.soundreduction.co.uk/products/soundproofing-for-floors/maxideck-acoustic-flooring/
Other	
Acoustic Data	DnT,w (db) = 52 / Airborne = DnT,w + Ctr (db) = 45 / Impact = L'nT,W (db) = 43
Identity Data	
Manufacturer	SOUND REDUCTION SYSTEMS LIMITED
Address	Adam Street, off Lever Street, Bolton, BL3 2AP
Tel No.	+44 (0) 1204 380074
Fax No.	+44 (0) 1204 380957
URL	www.soundreduction.co.uk
Email	info@soundreduction.co.uk
Model	
Description	
Assembly Code	C3030210
Cost	
Keynote	
Type Comments	
Type Image	

Family Types

New...

Rename...

Delete

Parameters

Add...

Modify...

Remove

Move Up

Move Down

Sorting Order

Ascending

Descending

Lookup Tables

Manage...

OK Cancel Apply Help